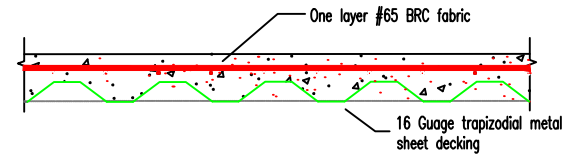
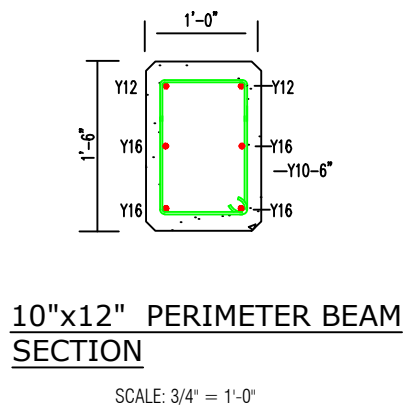
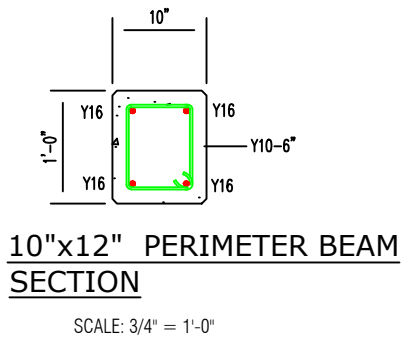
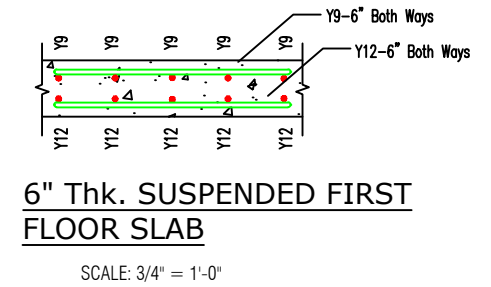
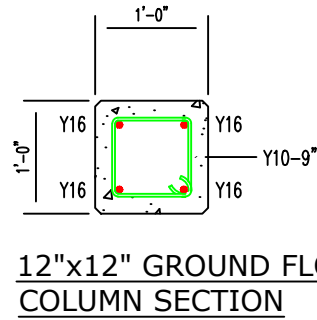
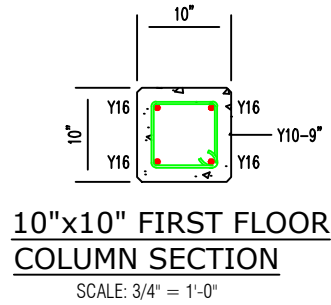
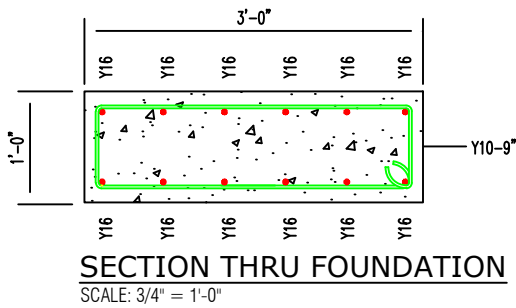


GENERAL NOTES



NO	DATE	DESCRIPTION	BY
AMENDMENT			
DESIGNED BY :	APPROVED BY :	CHECKED BY :	
AS SHOWN	F.Haynes	T.Lilliah	
SCALE :	DATE :	DRAWN BY :	
DRAWING NO.	2022-07-05	K.Shivsankar	
		REV.	

CLIENT :
GPL INC.
MIDDLE STREET,GEORGETOWN

PROJECT :
CONSTRUCTION OF STORES BUILDING SOPHIA.

DRG. TITLE :
SECTIONS