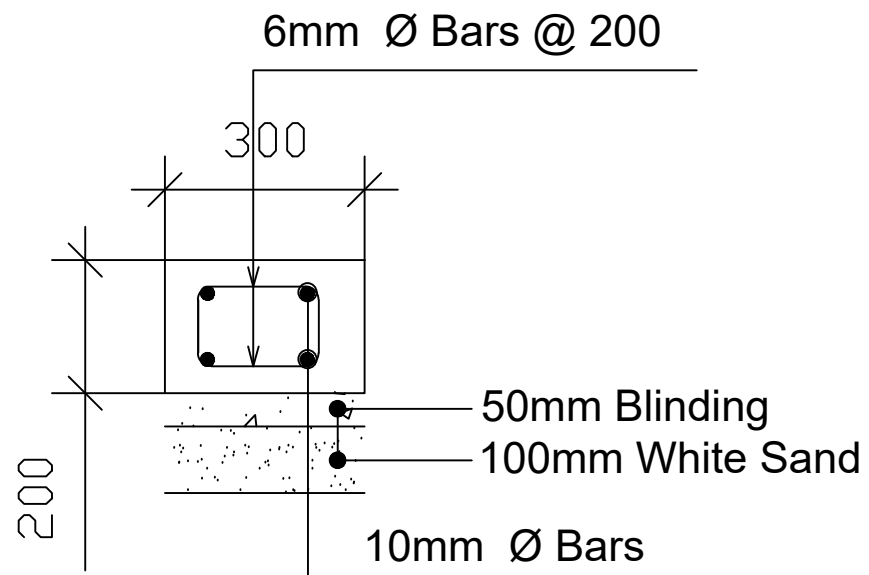
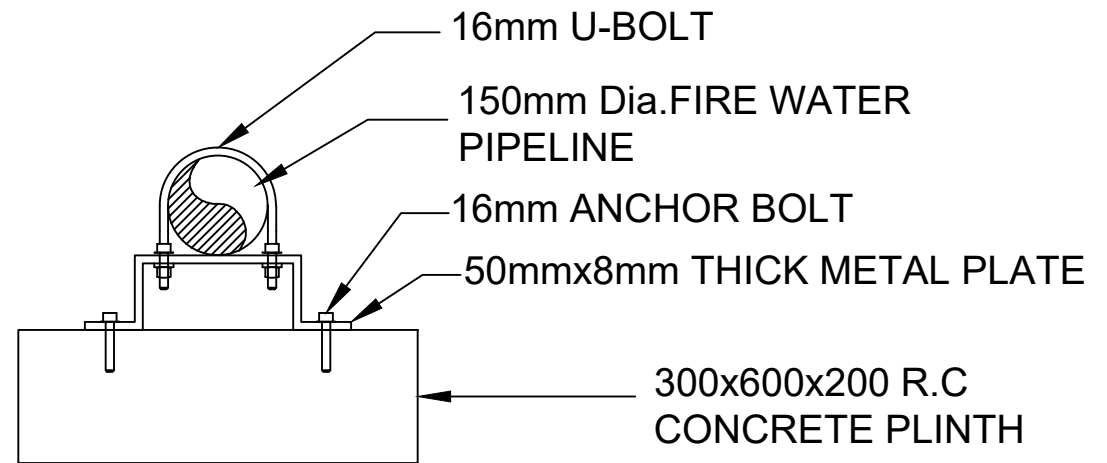


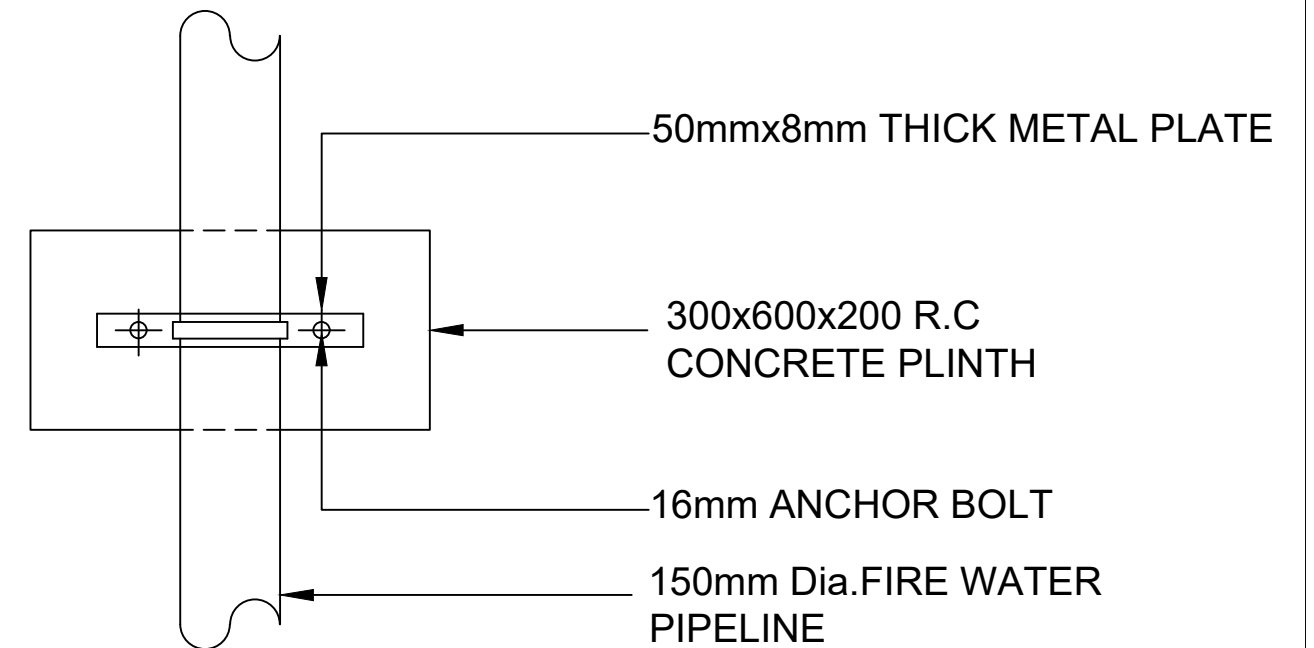
① PLAN OF PLINTH
1:5




② PLINTH SECTION
1:5



④ PIPE SUPPORT SECTION
1:5



③ PIPE SUPPORT PLAN VIEW
1:5

 GUYANA POWER & LIGHT INC. PROJECTS MANAGEMENT DEPT. 257-259 MIDDLE STREET SOUTH CUMMINGSBURG GEORGETOWN.	PROJECT:	46.5 MW GARDEN OF EDEN	DRG. TITLE:	CONCRETE PLINTH AND PIPE SUPPORT DETAILS	DESIGNED BY:	CHECKED BY:	APPROVED BY:
					DRAWN BY:	SCALE:	DATE:
						R.Harris	AS SHOWN
					DRAWING No:	03	REVISION: