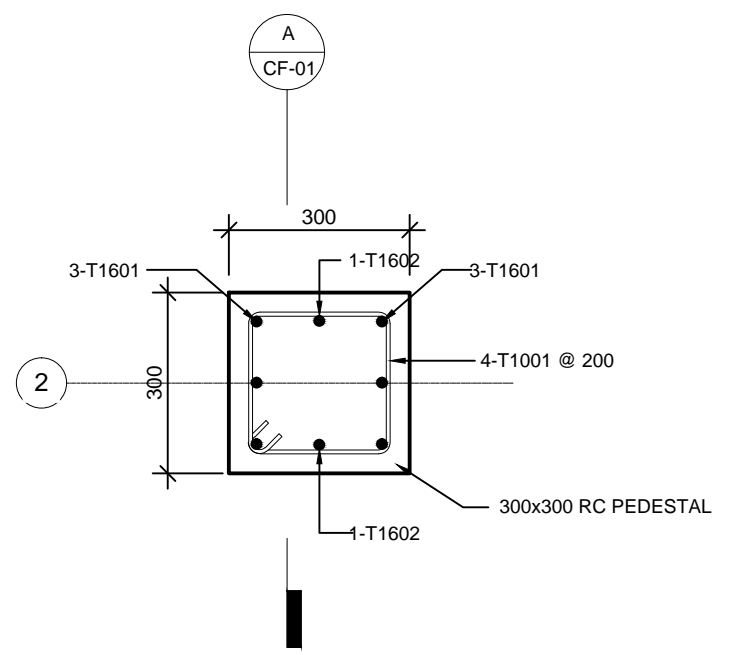
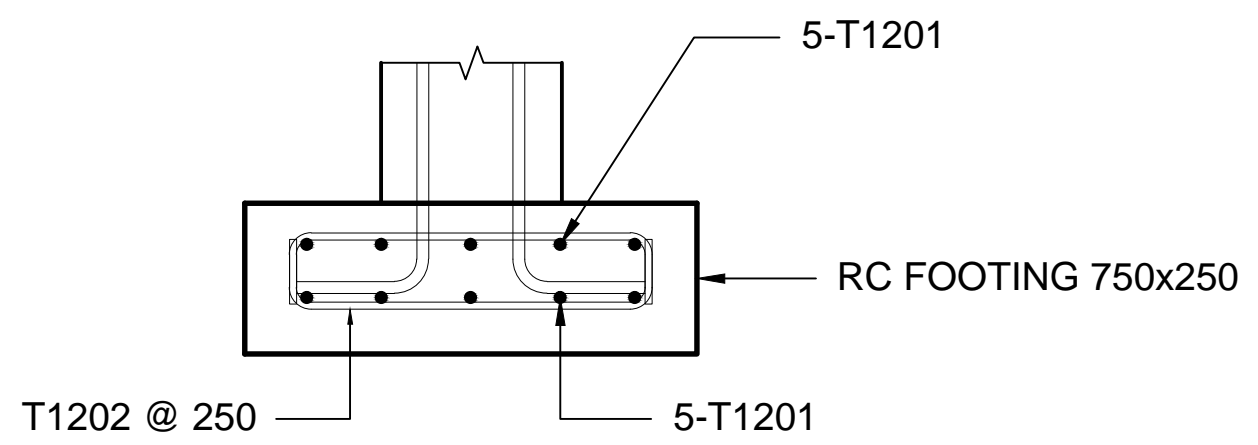


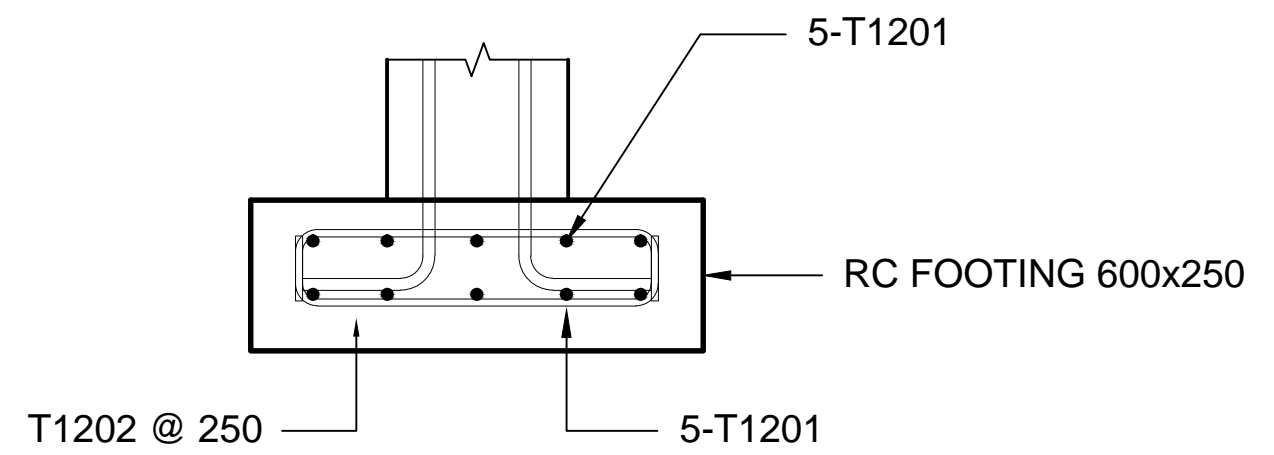
① DETAIL A  
1:10




① TYPICAL 300X300 RC COLUMN  
REINFORCEMENT DETAIL  
1:10



① SECTION A-A  
1:10



① SECTION B-B  
1:10

PROJECT NO:  GPL-PI-011-2019	 <b>GUYANA POWER &amp; LIGHT INC.</b> PROJECTS MANAGEMENT DEPT. 257-259 MIDDLE STREET SOUTH CUMMINGSBURG GEORGETOWN. TEL: 225-	PROJECT:  CONSTRUCTION OF CANEFIELD SUB-STATION CONTROL BUILDING	DRG. TITLE:  FOUNDATION DETAIL	DESIGNED BY:  R.Harris	CHECKED BY:  AS SHOWN	APPROVED BY:  2019-02-28
				DRAWING No: 021-2019-S04	REVISION:	